



ROLLY TASKER SAILS SPAIN

HEADSAIL MEASUREMENT SHEETS

IN TOTAL 3 SHEETS SHEET 1

Yellow Boxes Information **SHOULD** be given

Blue Boxes Information optional

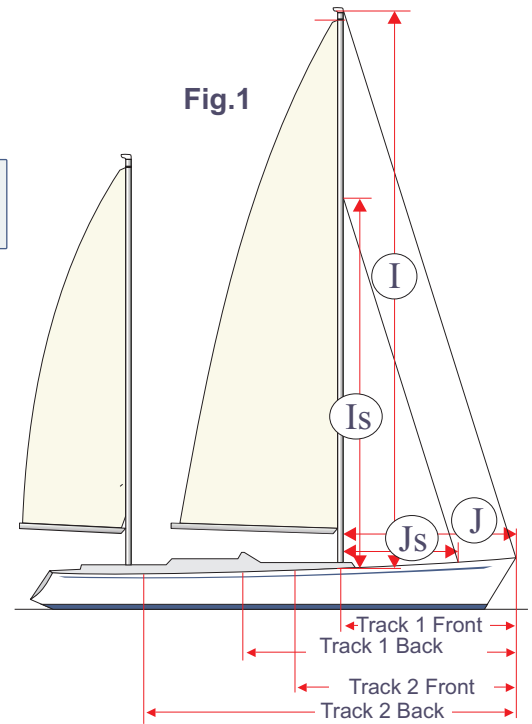
Rig dimensions in metres:

Foretriangle: I J

Foretriangle: Is Js

Track 1: front back

Track 2: front back



SAIL MEASUREMENT OPTIONS :

OPTION 1: Measurements I and J and LUFF LENGTH and TRACK

If you have filled in the above I, J and track measurement boxes and the box for luff length (as shown in Fig.2 on next page), then we can design your sail for you and calculate the area and weight for your sail (e.g. No.1 or No.2 etc.)

(You also can fill in the hauling point and, if you like, the approx. clew height above deck.)

HAULING POINT:

If you would like to have the hauling point in a specific position, then you must give us the position of the sheet block (measured from bow forestay bolt deck fitting).

CLEW HEIGHT:

If you wish, you can also give us the desired height of clew above deck

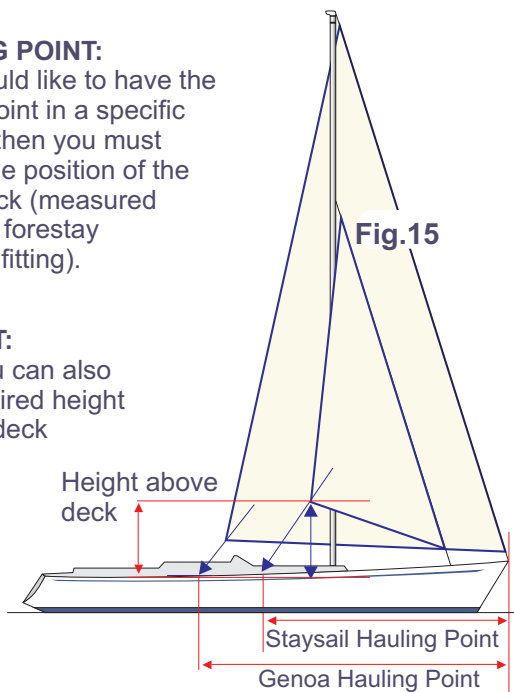
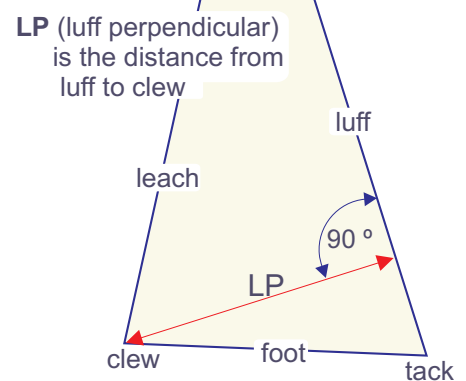


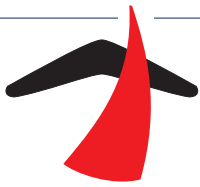
Fig.16



OPTION 2: I and J, LUFF LENGTH and LP and TRACK

If you have filled in the above I and J measurements, and the box for luff length (as shown in Fig.2 on next page) and LP, then we can design your sail in accordance with these features.

(You also can fill in the hauling point and, if you like, the approx. clew height above deck.)



ROLLY TASKER SAILS SPAIN

HEADSAIL MEASUREMENT SHEETS

IN TOTAL 3 SHEETS SHEET 2

OPTION 3: I and J and LUFF and LEACH and FOOT LENGTHS

If you would like to have the sail in accordance with your own design or the same as an existing sail, then please complete the boxes, in the section below, for luff, leech and foot.

You can specify cloth weight or we can give you our recommendation.

Dimension of Headsails and Staysails in metres:

(A : Luff for roller furling sails = max. length shackle to shackle Fig 2)

CHOOSE ONE SAIL TYPE ONLY Genoa No.: Jib/Yankee Staysail Storm Jib

Luff m Leach m Foot m LP m Weight gr Area m²

Hauling Point (from bow forestay) m clew approx. height above deck m

For more about [Sailcloth and Design](#) go to our website

Sailcloth: Standard is Dacron (yes/no) or: High Aspect (yes/no) or Cruising Laminate (yes/no)

Cut: Standard is Crosscut (yes/no) or: Two-ply Leach (yes/no) or Bi-radial (yes/no)

or: Tri-radial (yes/no) or Crescent Cut (yes/no)

Notes:

Sail Number: (yes/no) No. Flo Stripe: (yes/no) Colour: black / blue / red

Standard: we deliver the sail with a clew ring (yes/no)

Optional clew with a pressed eye (yes/no)

For more about "Sail Specifications" go to our website www.InterSailSupply.com

HANKS: (yes/no) Forestay diameter: mm

Roller Furl System Make:

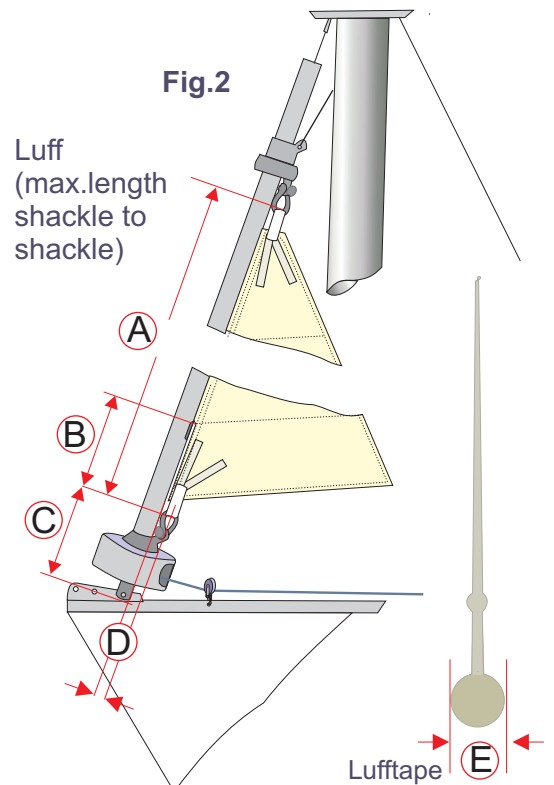
Model No.

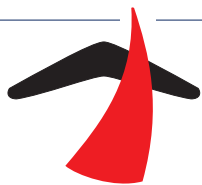
B : Sail insertion height = mm

C : Deck to top of shackle = mm

D : Back of profile to centre eye / shackle = mm

E : Diametre of lufftape Ø = mm





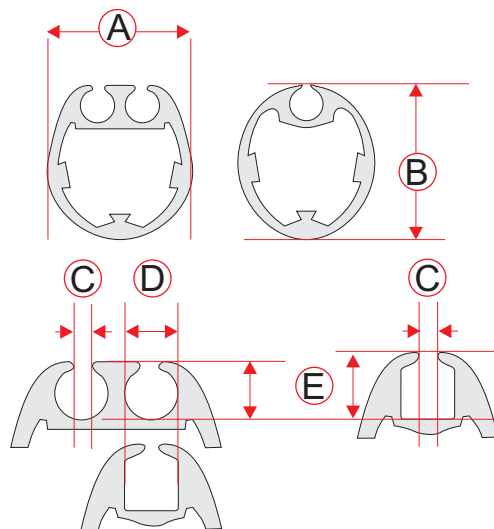
ROLLY TASKER SAILS SPAIN

HEADSAIL MEASUREMENT SHEETS

IN TOTAL 3 SHEETS **SHEET 3**

If you do not know the **Make** and **Model No.** of the Roller Furling System please complete the following :

- A : Width of profile = mm
- B : Depth of profile = mm
- C : Width of slit = mm
- D : Inner width of groove = mm
- E : Total depth of groove = mm



Extras

Luff foam required?(yes/no)

UV Suncover required? (yes/no) On which Side? port / starboard

Material : 5 oz Sailcloth (white only) (yes/no) or 9 oz US Sunbrella, Colour:
white, black, blue, red, dark blue, other

ORDER **DATE**

Boat name

Boat type and Make

Length **Weight**

Owner

Tel **Fax** **e-mail**

Address for Order Confirmation and Invoice

Address for sail delivery

Date for sail delivery

Other comments

We will send you the ORDER CONFIRMATION / INVOICE and our bank details within a few days.

VELAS ROLLY TASKER ESPAÑA Tel / Fax 971 23 59 81 Móvil 609 647 605 e-mail: info@velasrollytasker.es
Durabalone s.l. Cami de ses Penyes 16, E 07150 Andratx, Mallorca, Balears www.VelasRollyTasker.es